

How to measure for curtains

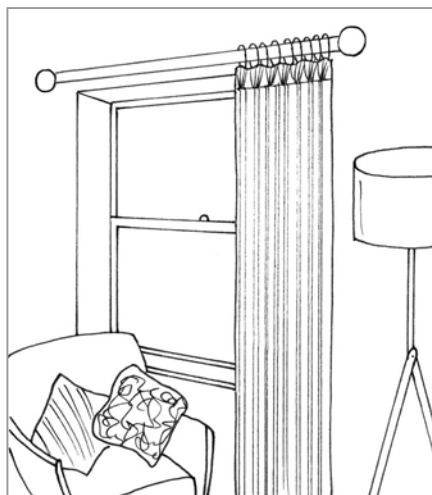
Use a metal tape measure for accuracy. Measurements should be in cm to the nearest 0.5cm. Double check your measurements.

	Window name	Width ^W	Drop ^D
Dimensions		cm	cm

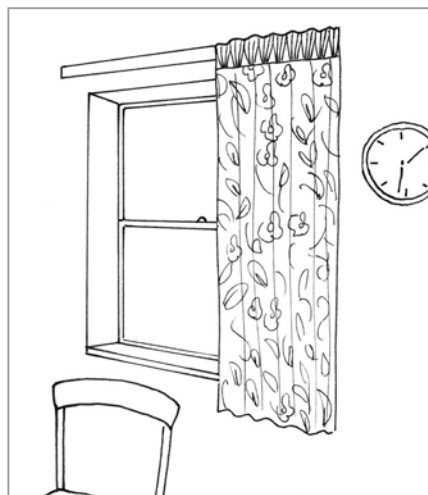
1

Choose your curtain type

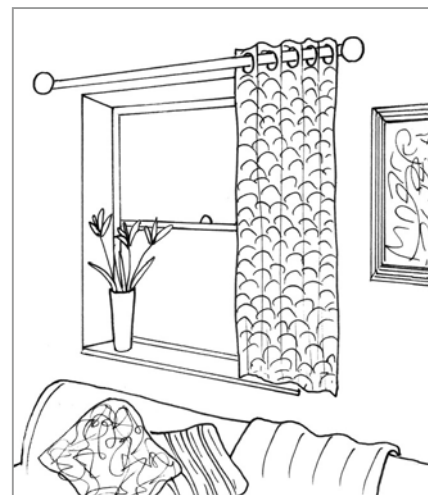
Your track or pole must be in place for accurate measurements.



A - Pleated heading on a pole



B - Pleated heading on a track



C - Eyelet heading on a pole

2

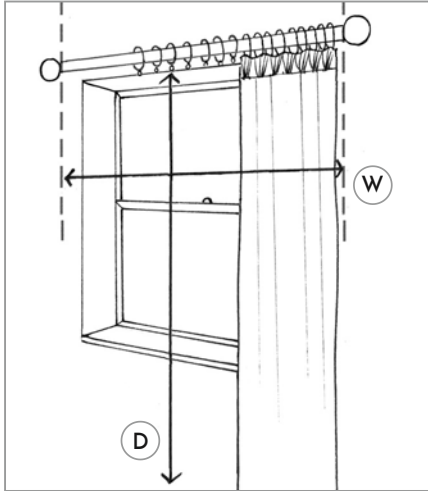
Choose your curtain length

Before you measure, follow our suggestions for the perfect length curtains:

Curtain length	Sill length	Below sill	Floor length
Measure	to sill - 1cm	to sill + 15cm	to floor +1cm

* For uneven floors: measure the drop in 3 places & choose the longest measurement.

3 Get measuring!

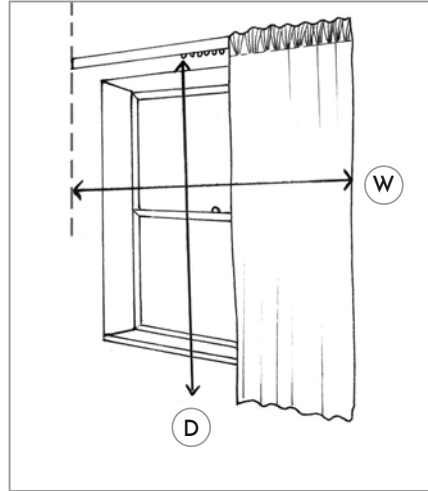


A - Pleated heading on a pole

Ⓜ Width of the pole between finials

ⓓ Drop from the pole eyelets to your finished length

- We will add 2cm of fabric above your hooks for the heading height.

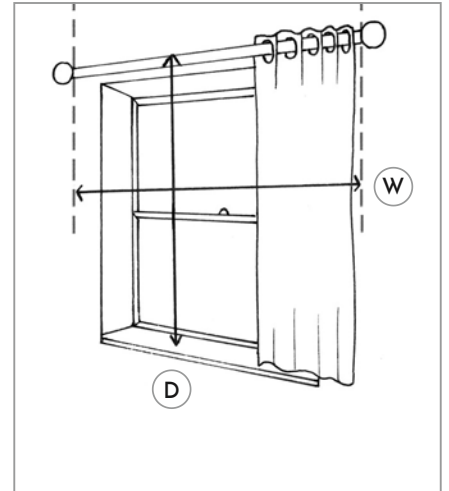


B - Pleated heading on a track

Ⓜ Width of the entire track

ⓓ Drop from the track eyelets to your finished length

- We will add 3cm of fabric above your hooks for the heading height (or 1cm if your track is ceiling fixed).



C - Eyelet heading on a pole

Ⓜ Width of the pole between finials

ⓓ Drop from the top of the pole to your finished length

We recommend that you email us at sales@newhome-furnishings.co.uk with your measurements and photos or call us on 01650 521357 or 07779 479 452 for more advice.